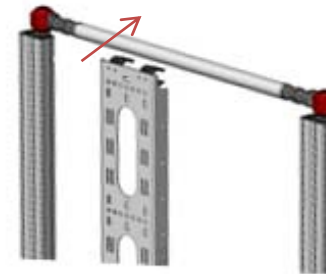
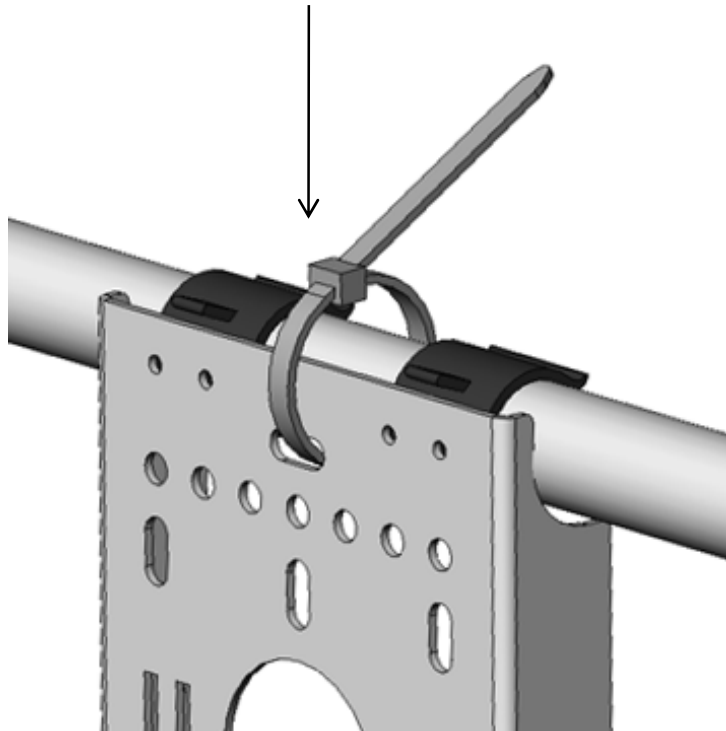


# Small LCD

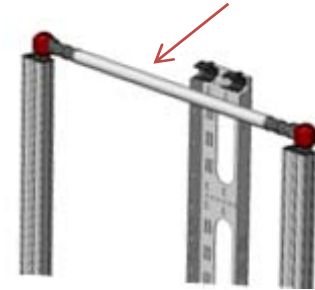
Mounting profile group

## Zip ties attachment

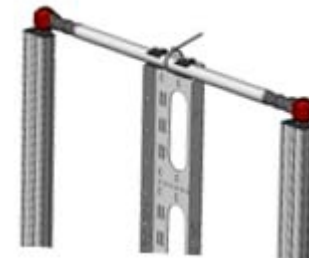
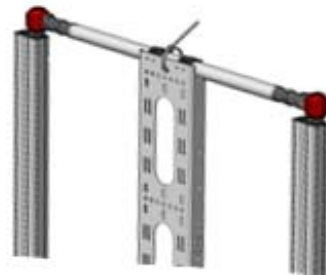
**2 pcs** = Plastic Zip ties for each mounting profile  
(to secure on the mounting profile on the top and bottom, to the EGO construction)



Attachment from front  
For shelving.



Attachment from back  
For LCD screens.



**Note:** all tower units must have a base ballast (weight on bottom) for safety / stability of the unit.  
Drawings for these are available on PDFs

# Small LCD

## Mounting profile group

### LCD mounting (small screens)

Small screens=screens with centrally-located mounting screw inserts on the back.

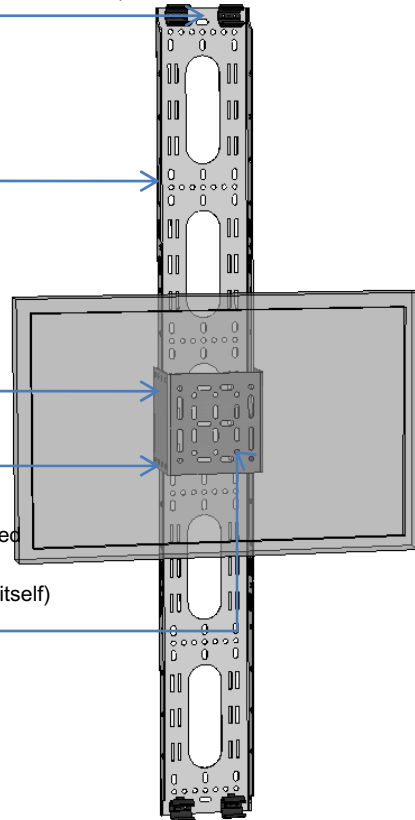
2 pcs = Zip ties  
(to secure on the mounting profile on the top and bottom ,to the EGO construction)

1 pcs = Mounting profile

1 pcs = "U" bracket

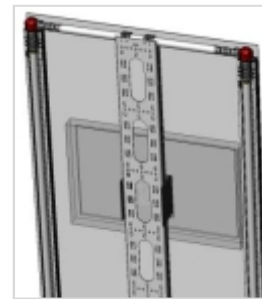
4 pcs = Nuts & bolts

4 pcs = Bolts that are inserted in the screen on the back (supplied with the screen kit itself)

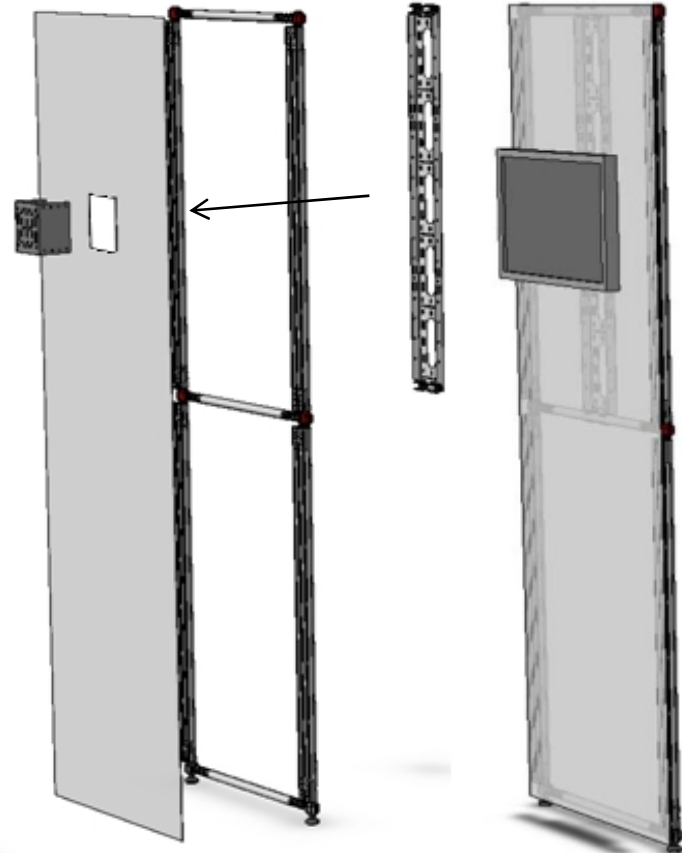


Front view

1 outlet--Cut to fit location of U-Bracket. Approx. 145mm x 145mm



rear view



Assembly -front view

Front view

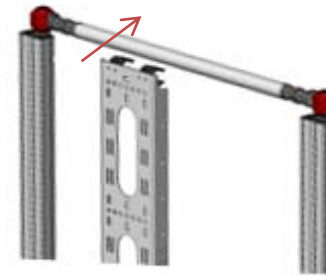
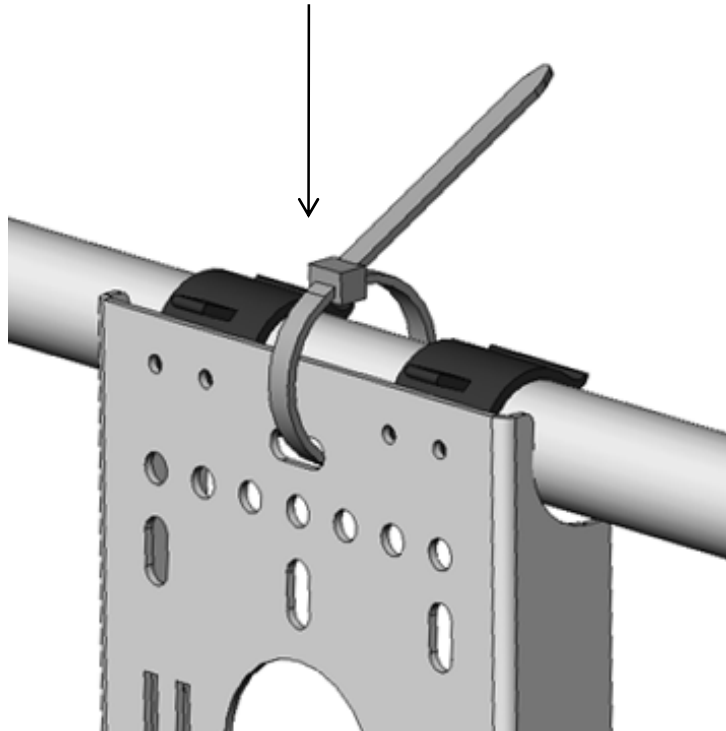
**Note:** all tower units must have a base ballast (**weight on bottom**) for safety / stability of the unit. Drawings for these are available on PDFs

Mounting profile group

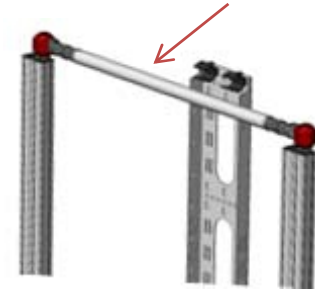
# Big LCD

## Zip ties attachment

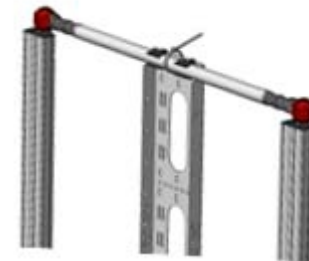
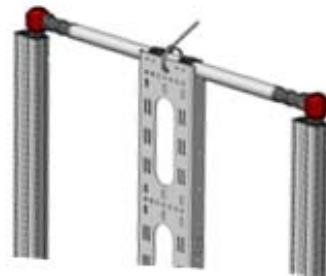
2 pcs = Plastic Zip ties for each mounting profile  
(to secure on the mounting profile on the top and bottom, to the EGO construction)



Attachment from front  
For shelving.



Attachment from back  
For LCD screens.



**Note:** all tower units must have a base ballast (weight on bottom) for safety / stability of the unit.  
Drawings for these are available on PDFs

## Mounting profile group

# Big LCD

### LCD mounting (Large screens)

Large screens = screens with mounting screw inserts located near each side of the screen--not in the center.

4 pcs = Zip ties

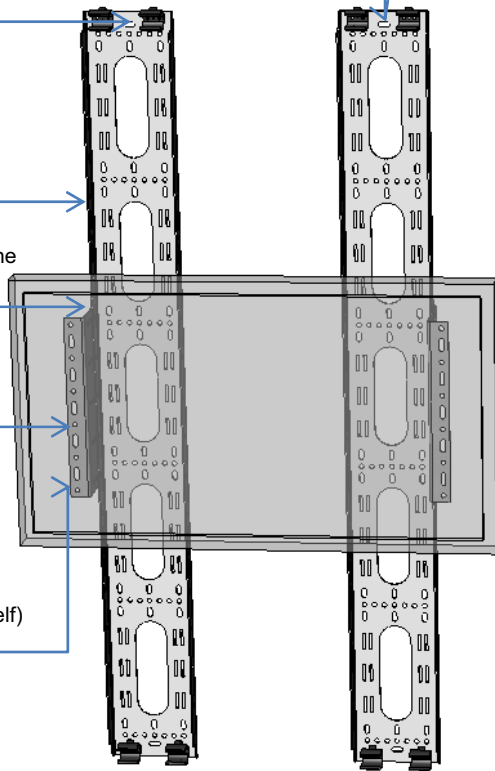
(to secure on the mounting profile on the top and bottom ,to the EGO construction)

2 pcs = Mounting profiles

8 pcs = Nuts and bolts-to attach the L brackets to mounting profiles.

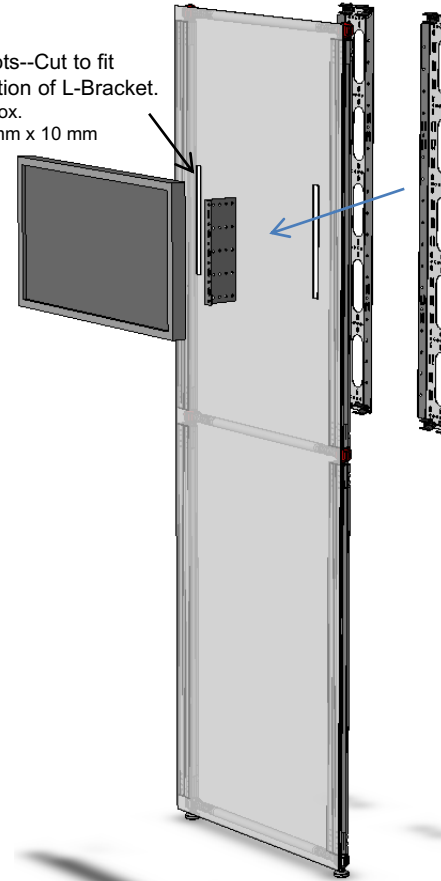
2 pcs = "L" mounting bracket

4 pcs = Bolts that are inserted in the screen on the back (usually supplied on the screen itself)

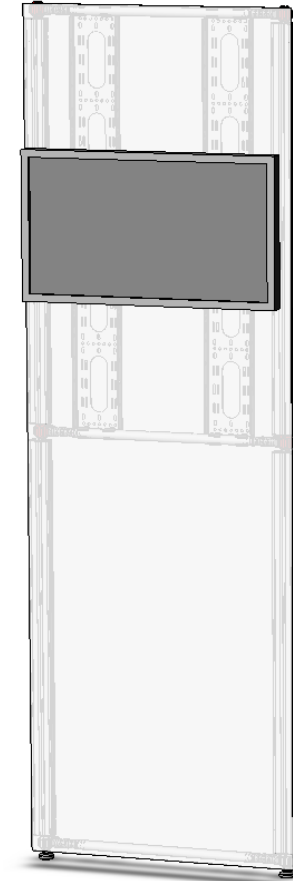


Front view

2 slots--Cut to fit location of L-Bracket. Approx. 280mm x 10 mm



Assembly -front view



Front view

**Note:** all tower units must have a base ballast (**weight on bottom**) for safety / stability of the unit. Drawings for these are available on PDFs